

## Series 4, Fully-integrated dishwasher, 45 cm SPV4EMX25G



### Optional accessories

SMZ5300	GlassSecure Tray
SGZ0BI02	decorative strips stainless steel 81,5cm
SGZ1010	inlet and outlet hose extension
SGZ4CB00	Vario cutlery basket 45cm

## Better drying performance with the connected dishwasher for smart remote control.

- **SpeedPerfect+**: Reduced washing time, perfectly cleaned dishes.
- **EfficientDry**: improved drying performance by automatic door opening.
- **Silence 50° program**: Reduce the noise to a minimum and enjoy peaceful and quiet dishwashing without compromising on cleanliness.
- **Rackmatic**: even more adjustment options and maximum flexibility.
- **Slimline Vario Flex baskets & Vario Drawer**: 3 racks moulded to fit everything from teaspoons to pots.

### Technical Data

Energy Efficiency Class <sup>1</sup> : .....	C
Energy Consumption for 100 cycles Eco Programme <sup>2</sup> : ....	59 kWh/100 cycles
Maximum number of place settings: .....	10
The water consumption of the eco programme in liters per cycle: 8.9 l	
Programme duration <sup>3</sup> : .....	3:15 h
Airborne acoustical noise emissions : .....	44 dB(A) re 1pW
Airborne acoustical noise emission class: .....	B
Built-in / Free-standing: .....	Built-in
Height of removable worktop: .....	0 mm
Required niche size for installation (HxWxD): ....	815-875 x 450 x 550 mm
Depth with open door 90 degree: .....	1150 mm
Adjustable feet: .....	Yes - all from front
Maximum adjustability feet: .....	60 mm
Adjustable plinth: .....	Both horizontal and vertical
Net weight: .....	29.4 kg
Gross weight: .....	31.0 kg
Connection rating: .....	2400 W
Fuse protection: .....	10 A
Voltage: .....	220-240 V
Frequency: .....	50; 60 Hz
Length electrical supply cord: .....	175 cm
Plug type: .....	GB plug
Length inlet hose: .....	165 cm
Length outlet hose: .....	205 cm
EAN code: .....	4242005467327
Installation typology: .....	Integrated



<sup>1</sup> Scale of Energy Efficiency Classes from A to G  
<sup>2</sup> Energy consumption in kWh per 100 cycles (in programme Eco 50 °C)  
<sup>3</sup> Duration of programme Eco 50 °C

## Series 4, Fully-integrated dishwasher, 45 cm SPV4EMX25G

### Better drying performance with the connected dishwasher for smart remote control.

#### Performance

- Energy Efficiency Class<sup>1</sup>: C
- Energy<sup>2</sup> / Water<sup>3</sup>: 59 kWh / 8.9 litres
- Capacity: 10 place settings
- Programme duration<sup>4</sup>: 3:15 (h:min)
- Noise level: 44 dB(A) re 1 pW
- Noise Efficiency Class: B
- Noise level (silence programme): 42 dB(A) re 1 pW

#### Programmes / functions

- 6 programmes: Eco 50 °C, Auto 45-65 °C, Intensive 70 °C, Express 65°, Silence 50 °C, Favourite
- Default favourite programme: Pre-Rinse
- 4 special options: Remote Start, Efficient Dry, Intensive Zone, SpeedPerfect+
- Add-On functions via Home Connect app: Hygiene+, Silence on Demand
- Machine Care

#### Flexible design elements

- Vario Flex basket system
- Cutlery drawer 1.0 Flex
- 3 stage Rackmatic height-adjustable top basket
- Low friction wheels on bottom basket
- Anti-slip protection strips in upper basket
- Rack Stopper to prevent derailing of bottom basket
- 2 foldable plate racks in top basket
- 2 foldable plate racks in bottom basket
- Upper rack cup shelf
- Lower rack cup shelf
- Glass rack in bottom basket

#### Innovations and technology

- Home Connect ready on WLAN
- Efficient Dry and Heat Exchanger
- DosageAssist detergent dispenser
- EcoSilence BLDC drive
- Automatic detergent detection
- AquaSensor III
- AquaMix - Glass protection system

#### Design features

- Push button top edge controls
- TimeLight - Light projection on the floor
- DuoPower spray arm in upper basket
- Time delay (3, 6 or 24 hours)
- Acoustic end of cycle indicator
- Self-cleaning filter system with 3 piece corrugated filter
- incl. Steam protection for worktop

- AquaStop: Bosch's warranty in case of water damage - for the lifetime of the appliance. Please find warranty terms under <https://www.bosch-home.co.uk/customer-service/care-protection-and-parts/additional-warranties>

- Stainless steel interior

- Dimensions (HxWxD): 81.5 x 44.8 x 55cm

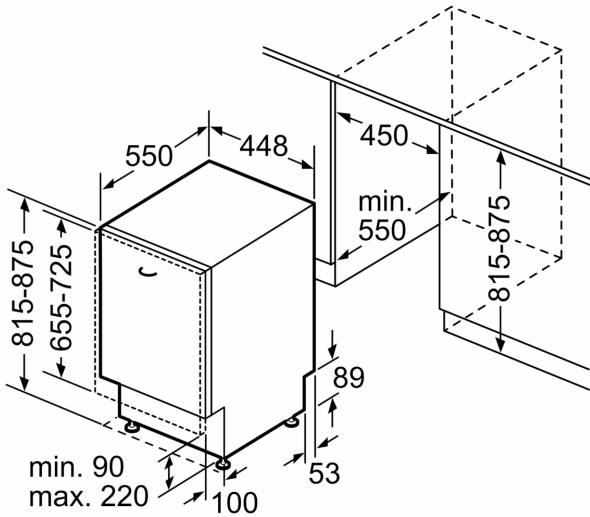
<sup>1</sup> Scale of Energy Efficiency Classes from A to G

<sup>2</sup> Energy consumption in kWh per 100 cycles (in programme Eco 50 °C)

<sup>3</sup> Water consumption in litres per cycle (in programme Eco 50 °C)

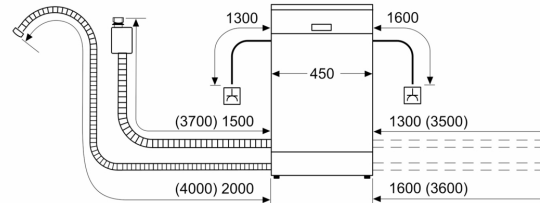
<sup>4</sup> Duration of programme Eco 50 °C

**Series 4, Fully-integrated  
dishwasher, 45 cm  
SPV4EMX25G**



measurements in mm

measurements in mm



socket  
( ) values with extension kit