

Electrical Installation

- Enquiries regarding the installation of the cooker point, if required, should be made to your Regional Electricity Company to ensure compliance with their regulations.
- The appliance socket switch should be outside the cabinet but within 2 m of the appliance to make it accessible to switch off the appliance in case of an emergency.
- To protect the hands, wear gloves when lifting the oven into its housing.



HOUSE CIRCUIT

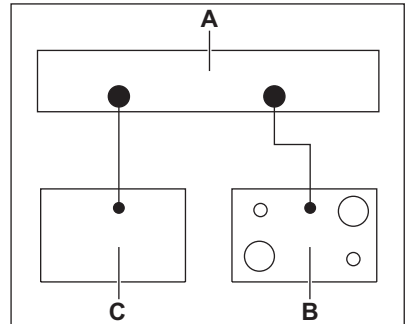
Earth leakage and continuity tests must be carried out before the appliance is connected to the mains supply and re-checked after fitting.

GETTING THINGS READY CHOICE OF ELECTRICAL CONNECTION

There are three possible ways to connect your appliance. In each case the appliance should be operated using at least 6 mm² twin core and earth PVC insulated multicore cable. Please choose from the most appropriate after reading the different methods :

- a)** By connecting to a cooker point (having a double pole isolating switch with at least 3 mm contact separation in all poles and neutral) and protected with a fuse or miniature circuit breaker at your mains fuse box.

- b)** By connecting the appliance together with a hob directly to a cooker point(s). Having a double pole isolating switch with at least 3 mm contact separation in all poles and neutral.
- c)** If you wish to connect an oven and a hob to a cooker point you can by connecting the oven and hob separately to the cooker point. Oven and hob units should be separately connected to a cooker point. (See Picture)



A) Cooker Point

B) Hob

C) Oven

It is good practice to :

- Fit an Earth Leakage Circuit Breaker to your house wiring.
- Wire your appliance to the latest IEE regulations.



