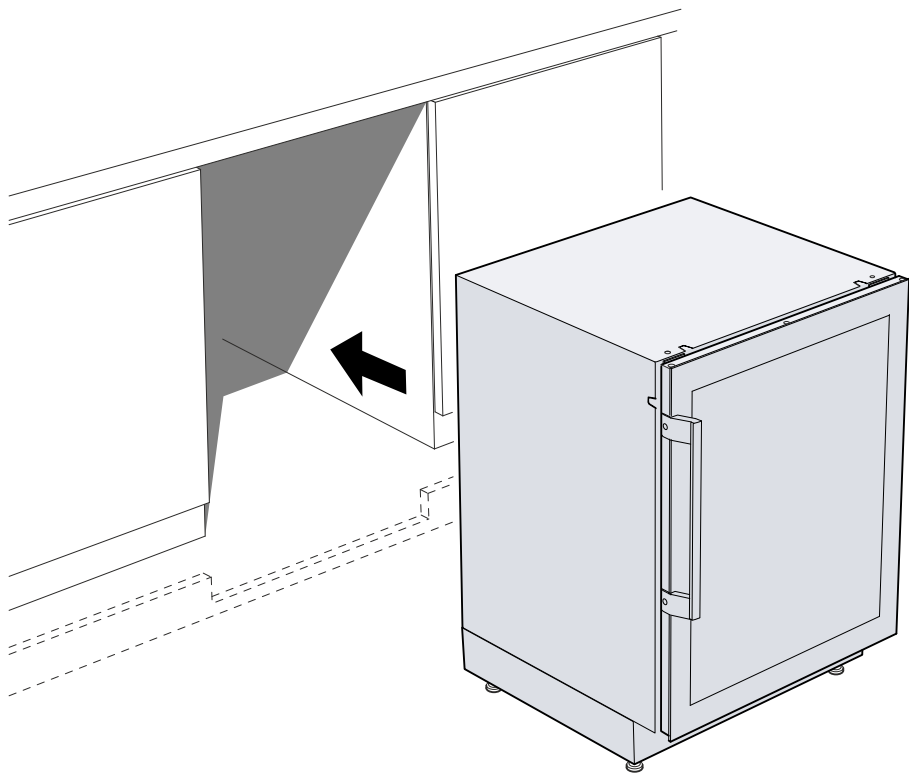
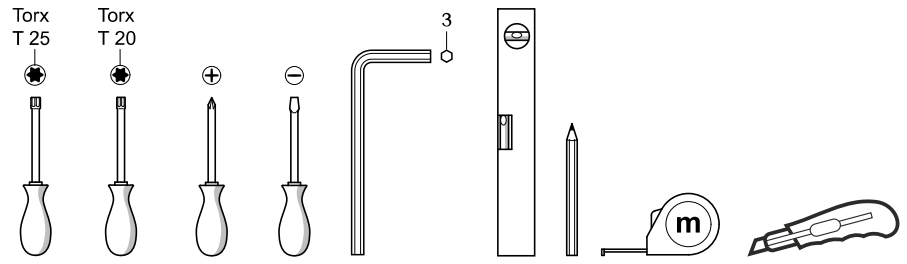
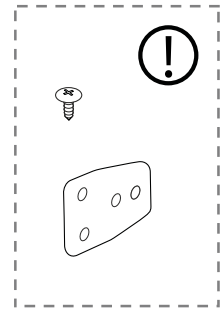
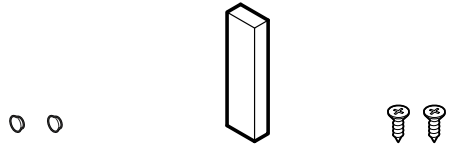
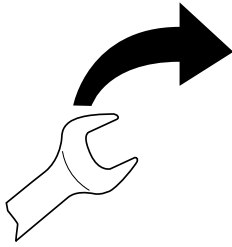
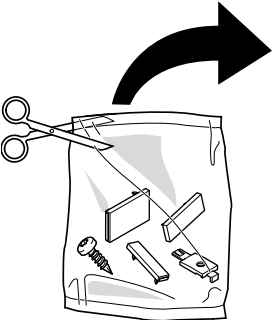


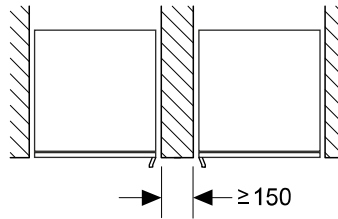
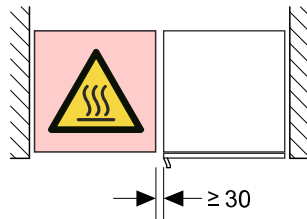
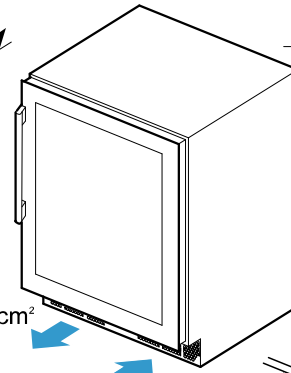
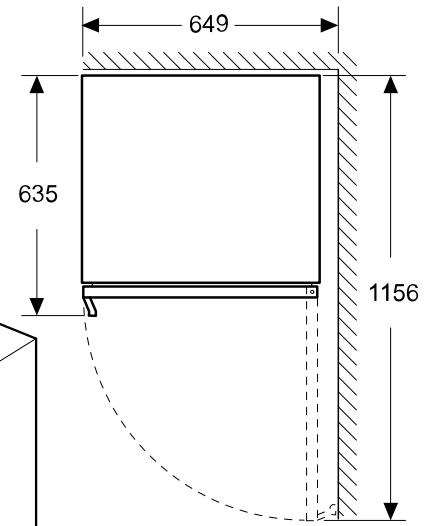
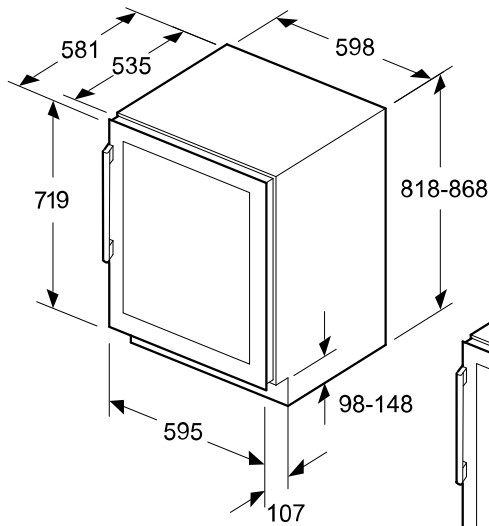
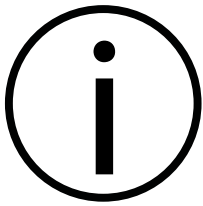
9001581603 (060409)



mm

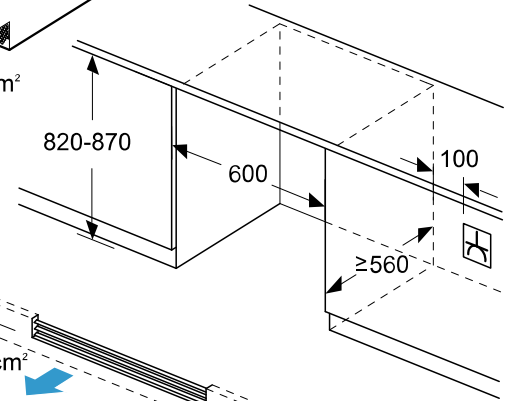






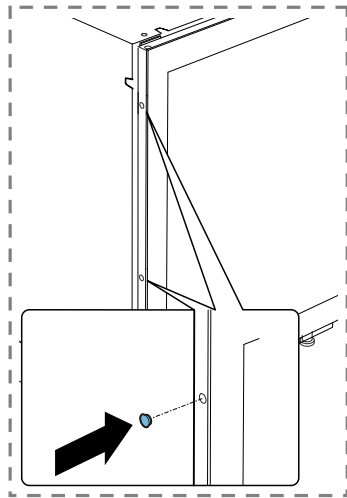
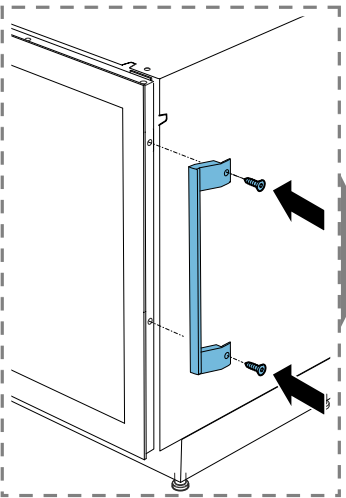
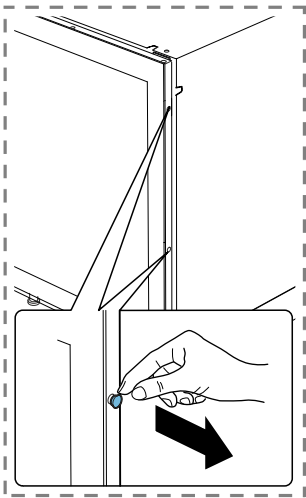
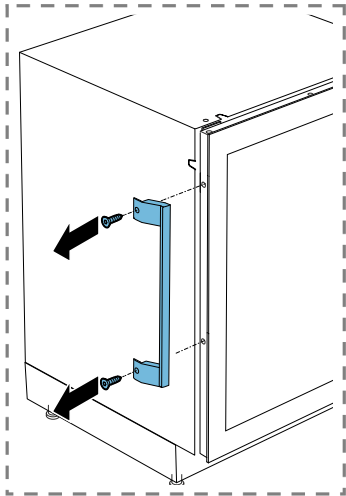
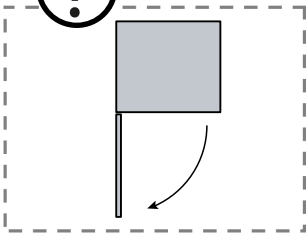
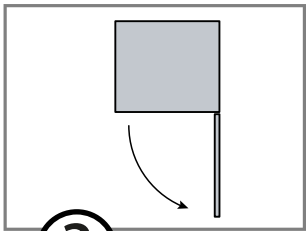
$\geq 80\text{cm}^2$

$\geq 80\text{cm}^2$



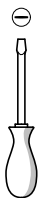
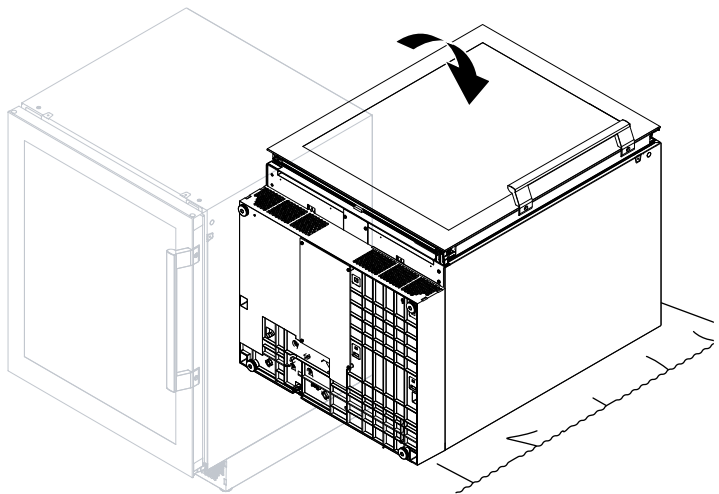
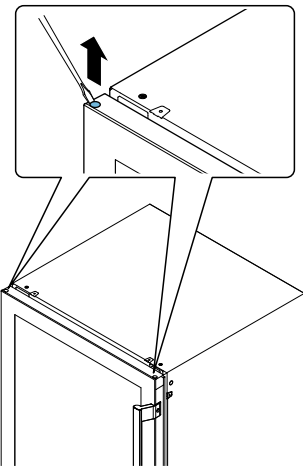
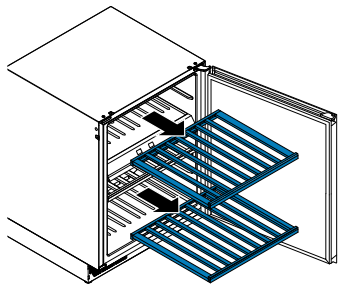
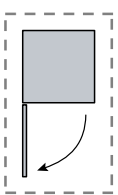
$\geq 80\text{cm}^2$

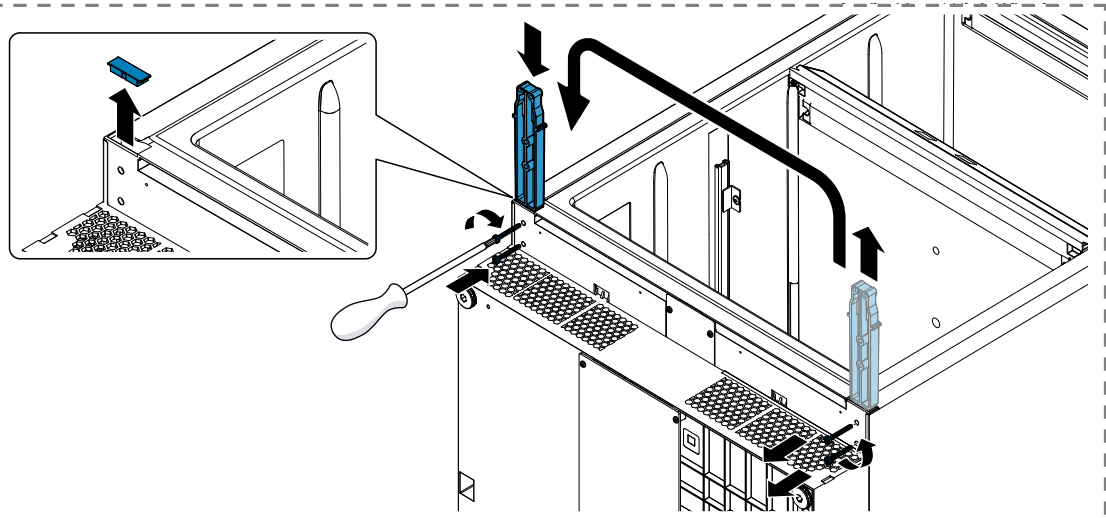
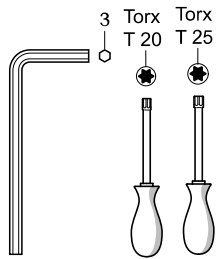
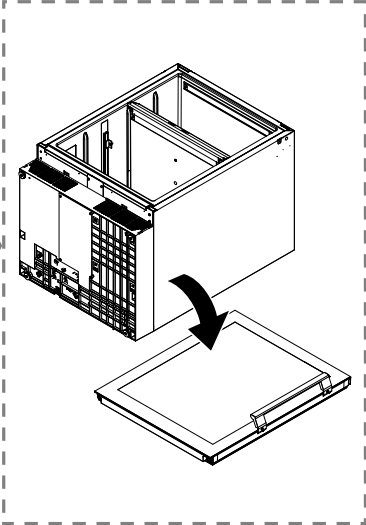
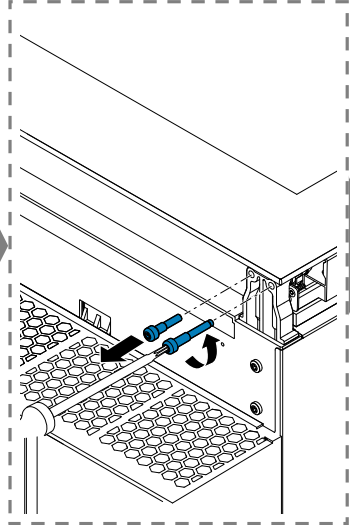
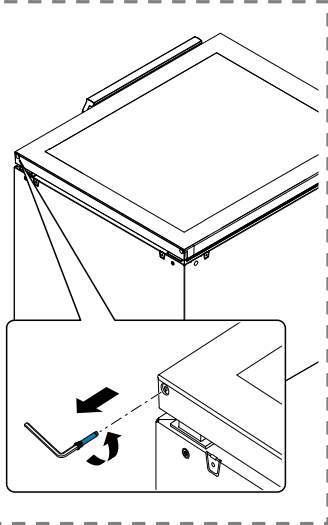
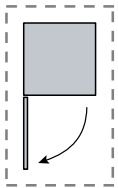
$\geq 80\text{cm}^2$

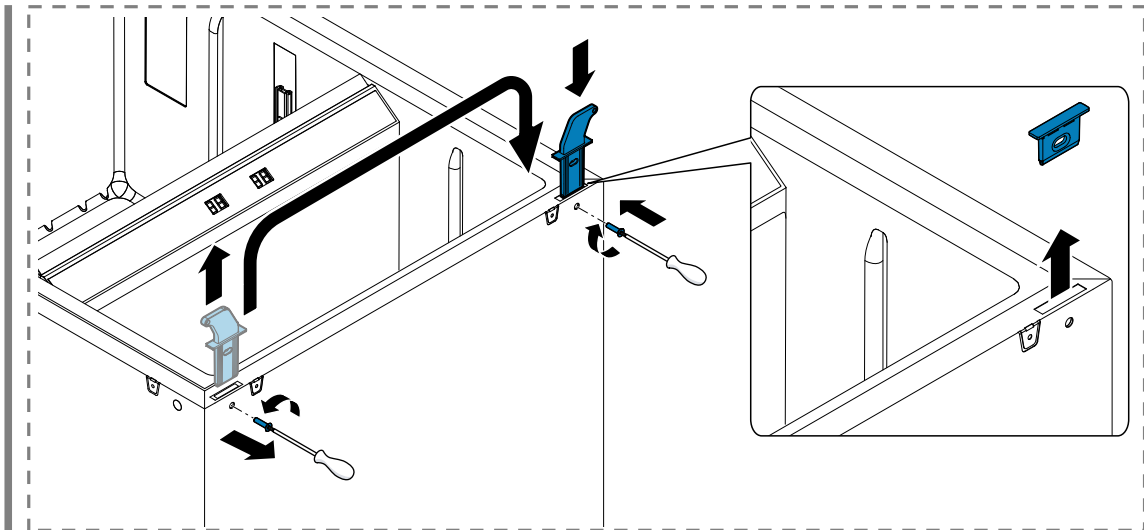
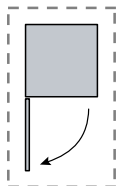


Torx
T 25

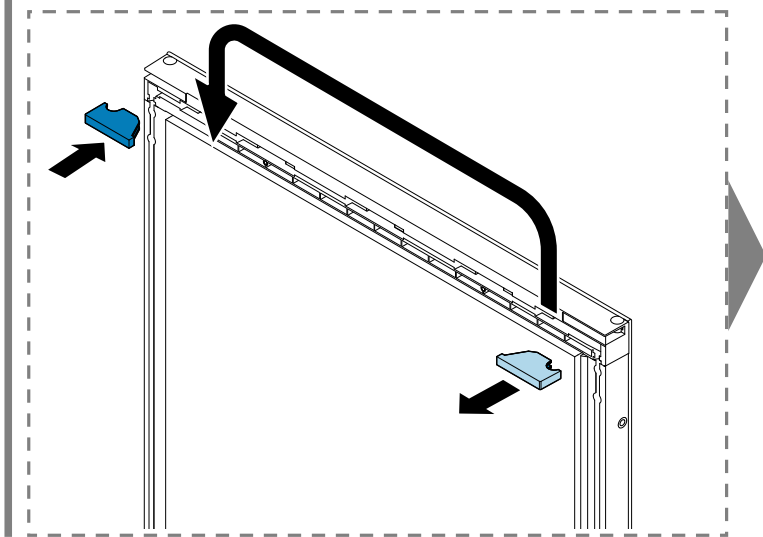
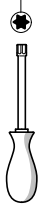


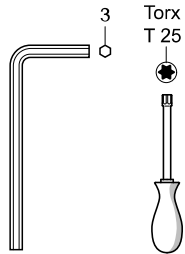
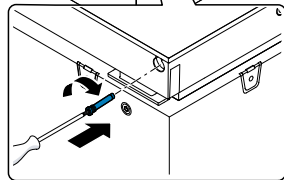
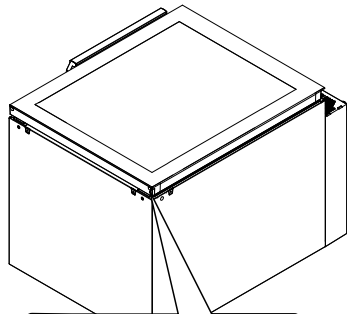
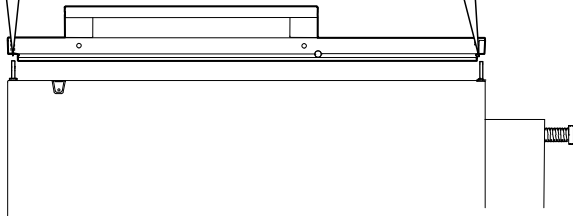
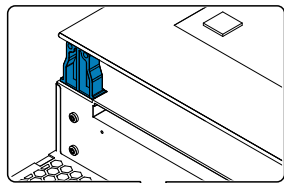
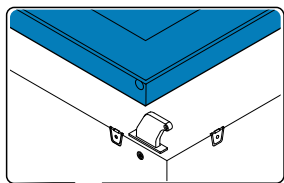
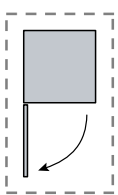






Torx
T 25





3

Torx
T 25

2,7 Nm

