

**Serie | 6, Built-in oven, 60 x 60 cm,
Stainless steel
HBA5570S0B**



Included accessories

2 x combination grid
1 x universal pan

Optional accessories

HEZ531000 : Baking tray, grey enamelled
HEZ531010 : Baking tray, non-stick ceramic coated
HEZ538000 : 1fold telescopic rail, level independent
HEZ634000 : Baking and roasting grid (standard)
HEZ638300 : 3 level telescopic rails, full ext
HEZ915003 : Glass roasting dish, 5,4 L

**The built-in oven with AutoPilot:
automatically prepares perfect dishes.**

- **3D Hotair:** even heat distribution for perfect results on up to three levels.
- **AutoPilot 10:** every dish is a perfect success thanks to 10 pre-set automatic programmes.
- **White LCD display control :** easy-to-use thanks to direct access to additional functions.
- **Pop-out controls:** Make the front of the oven easy to clean and give it a sleek look.
- **EcoClean Direct:** easy cleaning thanks to a coating that breaks down grease while you bake.

Technical Data

Color / Material Front : Stainless steel
Construction type : Built-in
Integrated Cleaning system : Catalytic all sides, Hydrolytic
Required niche size for installation (HxWxD) : 585-595 x 560-568 x 550 mm
Dimensions : 595 x 594 x 548 mm
Dimensions of the packed product (HxWxD) : 675 x 690 x 660 mm
Control Panel Material : Stainless steel
Door Material : Glass
Net weight : 34.242 kg
Usable volume of cavity : 71 l
Cooking method : Bottom heat, Conventional heat, Full width grill, Hot Air, Hotair gentle, Hot air grilling, Pizza setting
First cavity material : Other
Oven control : mechanical
Number of interior lights : 1
Approval certificates : CE, VDE
Length of electrical supply cord : 120 cm
EAN code : 4242005056613
Number of cavities (2010/30/EC) : 1
Energy efficiency rating : A
Energy consumption per cycle conventional (2010/30/EC) : 0.97 kWh/cycle
Energy consumption per cycle forced air convection (2010/30/EC) : 0.81 kWh/cycle
Energy efficiency index (2010/30/EC) : 95.3 %
Connection rating : 2990 W
Fuse protection : 13 A
Voltage : 220-240 V
Frequency : 60; 50 Hz
Plug type : no plug



Serie | 6, Built-in oven, 60 x 60 cm, Stainless steel HBA5570S0B

**The built-in oven with AutoPilot:
automatically prepares perfect dishes.**

Design

- LCD-display control (white)
- Rotary dial, Retractable control dials, round
- Straight bar handle

Features

- Control panel lock
Residual heat indicator
- Heating-up indicator
AutoPilot
Automatic start
- 5 shelf positions
- AutoPilot, 10
- Electronic clock timer
- Interior halogen light
- Integral cooling fan

Cleaning

- EcoClean Direct : ceiling, back panel, side liners
- EcoClean Direct programme

Programmes/functions

- Oven with 7 PC heating methods: 3D Hotair, conventional top and bottom heat, Hotair grilling, full width variable grill, pizza function, bottom heat, Hotair gentle
- Automatic programmes
- Fast pre-heating function

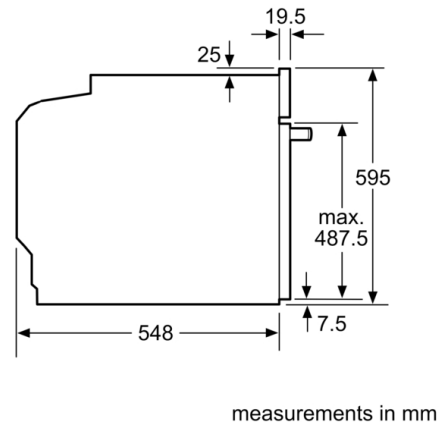
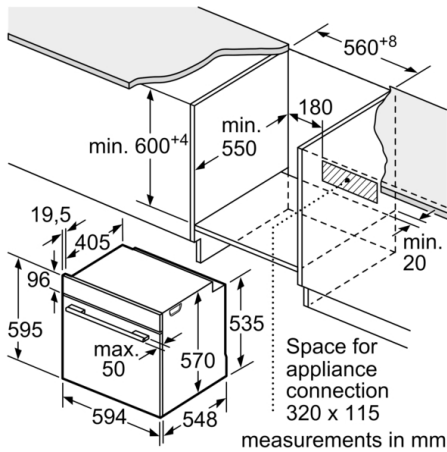
Accessories

- 1 set of level independent telescopic rails, Stop function
- 1 x universal pan, 2 x combination grid

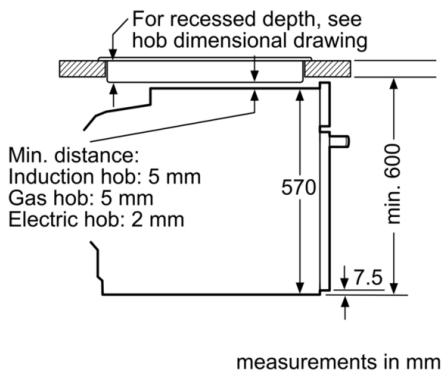
Performance/technical information

- Energy efficiency rating (acc. EU Nr. 65/2014): A
- Energy consumption per cycle in conventional mode: 0.97 kWh
- Energy consumption per cycle in fan-forced convection mode: 0.81 kWh
- Number of cavities: Main cavity
- Heat source: electrical
- Cavity volume: 71 litre capacity
- 120 cm Cable length
- Total connected load electric: 2.99 KW
- Temperature range 50 °C - 275 °C
- Nominal voltage: 220 - 240 V
- Appliance dimension (hxwxd): 595 mm x 594 mm x 548 mm
- Niche dimension (hxwxd): 585 mm - 595 mm x 560 mm - 568 mm x 550 mm
- Please refer to the dimensions provided in the installation manual

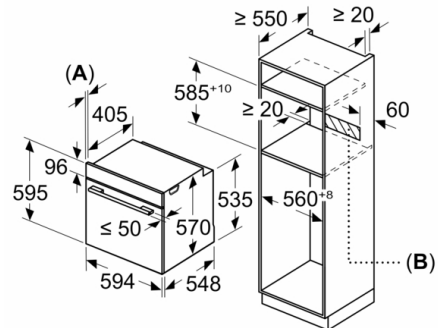
Serie | 6, Built-in oven, 60 x 60 cm, Stainless steel
HBA5570S0B



Installation with a hob.



Measurements in mm



A: 19.5 mm
B: Space for appliance connection 320×115 mm