

**Series 4, Built-in fridge, 177.5 x 56 cm, sliding hinge
KIR81VSF0G**



The refrigerator with temperature control and MultiBox: set the temperature precisely and easily.

- **LED lighting:** keep your groceries in perfect view.
- **Super Cooling function:** cools new food placed inside faster, thus protecting already cooled food.
- **SuperCooling quickly chills food and beverages with a touch of a button**

Technical Data

Energy Efficiency Class: F
 Average annual energy consumption in kilowatt hour per year (kWh/a): 144 kWh/annum
 Sum of volume of frozen compartments: 0 l
 Sum of volume of chill compartments: 319 l
 Airborne acoustical noise emissions :37 dB(A) re 1 pW
 Airborne acoustical noise emission class:C
 Installation type:Built-in
 Door panel options: Not possible
 Height: 1772 mm
 Width of the appliance:541 mm
 Depth of the product: 545 mm
 Min. required niche size for installation (HxWxD): 1775.0 x 560 x 550 mm
 Net weight: 59.2 kg
 Connection rating: 90 W
 Fuse protection:13 A
 Door hinge: Right reversible
 Voltage: 220-240 V
 Frequency: 50 Hz
 Length of electrical supply cord: 230.0 cm
 Number of compressors: 1
 Number of independent cooling systems: 1
 Interior ventilator: No
 Reversible Door Hinge: Yes
 Number of Adjustable Shelves in fridge compartment (Stck): 6
 Shelves for Bottles: No
 EAN code: 4242005209002
 Brand: Bosch
 Product name / Commercial code: KIR81VSF0G
 Product category: Refrigerator cabinet
 Frost free system:No
 Installation type: Integrated
 Included accessories: 3 x egg tray

Included accessories

3 x egg tray

Optional accessories

KS10Z020 Bottle Rack
 KSZGGM00 Butter box



Series 4, Built-in fridge, 177.5 x 56 cm, sliding hinge KIR81VSF0G

The refrigerator with temperature control and MultiBox: set the temperature precisely and easily.

Functions

- Bright interior LED fridge light

Design features

- LED electronic control
- FreshSense - Constant temperature control by intelligent sensor technology
- Automatic defrost fridge
- Super Cooling: automatic deactivation

Design features

- 7 safety glass shelves of which 6 are height adjustable
- Door shelves in fridge door: 2 large and 4 small.

Freshness System

- 2 MultiBox drawers

Dimension and installation

- Dimensions: 177.2 cm H x 54.1 cm W x 54.5 cm D
- Niche Dimensions: 177.5 cm H x 56 cm W x 55 cm D

Key features - Fridge section

- Right hinged door, door reversible
- Connection value 90 W
- 220 - 240 V

Key features - Freezer section

- KIR81VSF0G

Country Specific Options

- Based on the results of the standard 24-hour test. Actual consumption depends on usage/position of the appliance.

Design features

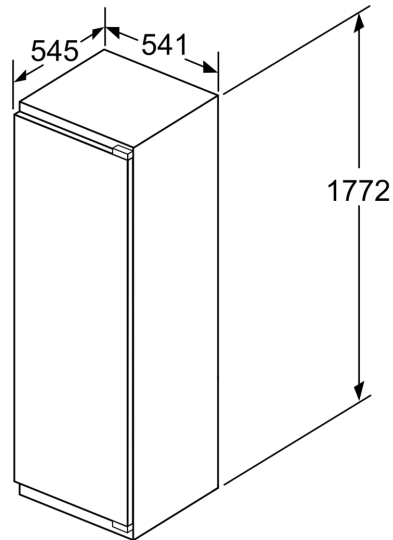
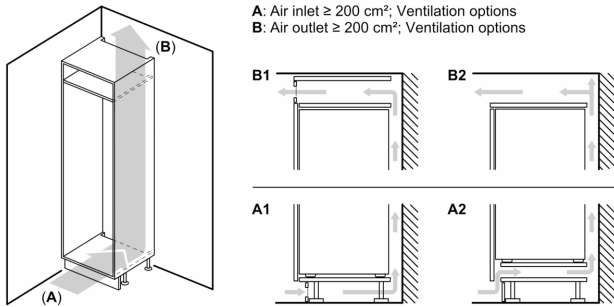
Dimension and installation

Additional features

Performance and Consumption

- EU19_EEK_D: F
- Total Volume : 319 l
- Net Fridge Volume : 319 l
- Annual Energy Consumption: 144 kWh/a
- EU19_Fast freezer facility_D
- Noise Level : 37 dB , EU19_Noise emission class_D: C

**Series 4, Built-in fridge, 177.5 x 56 cm, sliding hinge
KIR81VSF0G**



measurements in mm

