

## Series 4, Fully-integrated dishwasher, 60 cm SMV4ECX23G



### Optional accessories

SGZ0BI01	decorative strips stainless steel 81,5cm
SGZ0IC00	Small Item Clip for upper rack
SGZ1010	inlet and outlet hose extention
SGZ8BI00	Connection rail for divided furniture
SMZ2056	Attachment door, stainless steel
SMZ5003	Retractable hinge f. high corpus dimens.
SMZ5035	Decor conversion kit, stainless steel
SMZ5100	Vario-cutlery basket
SMZ5300	GlassSecure Tray

## Better drying performance with the connected dishwasher for smart remote control.

- **SpeedPerfect+**: Reduced washing time, perfectly cleaned dishes.
- **EfficientDry**: improved drying performance by automatic door opening.
- **Silence Pro**: the extremely quiet 40 dB dishwasher.
- **Rackmatic**: even more adjustment options and maximum flexibility.
- **Vario Drawer**: 3rd level loading for cutlery and smaller kitchen utensils.

### Technical Data

Energy Efficiency Class <sup>1</sup> :	.....C
Energy Consumption for 100 cycles Eco Programme <sup>2</sup> :	..... 75 kWh
Maximum number of place settings:	..... 14
The water consumption of the eco programme in liters per cycle:	9.0 l
Programme duration <sup>3</sup> :	..... 3:20 h
Airborne acoustical noise emissions :	.....40 dB(A) re 1pW
Airborne acoustical noise emission class:	.....B
Built-in / Free-standing:	..... Built-in
Height of removable worktop:	..... 0 mm
Dimensions of the product (HxWxD):	.....815 x 598 x 550 mm
Required niche size for installation (HxWxD):	.....815-875 x 600 x 550 mm
Depth with open door 90 degree:	..... 1150 mm
Adjustable feet:	..... Yes - all from front
Maximum adjustability feet:	..... 60 mm
Adjustable plinth:	..... Both horizontal and vertical
Net weight:	.....41.6 kg
Gross weight:	..... 43.5 kg
Connection rating:	..... 2400 W
Fuse protection:	.....10 A
Voltage:	..... 220-240 V
Frequency:	..... 50; 60 Hz
Length electrical supply cord:	..... 175.0 cm
Plug type:	..... GB plug
Length inlet hose:	..... 165 cm
Length outlet hose:	..... 190 cm
EAN code:	.....4242005470617
Installation typology:	..... Integrated



<sup>1</sup> Scale of Energy Efficiency Classes from A to G  
<sup>2</sup> Energy consumption in kWh per 100 cycles (in programme Eco 50 °C)  
<sup>3</sup> Duration of programme Eco 50 °C

## Series 4, Fully-integrated dishwasher, 60 cm SMV4ECX23G

### Better drying performance with the connected dishwasher for smart remote control.

- Dimensions (HxWxD): 81.5 x 59.8 x 55cm

<sup>1</sup> Scale of Energy Efficiency Classes from A to G

<sup>2</sup> Energy consumption in kWh per 100 cycles (in programme Eco 50 °C)

<sup>3</sup> Water consumption in litres per cycle (in programme Eco 50 °C)

<sup>4</sup> Duration of programme Eco 50 °C

#### Performance

- Energy Efficiency Class<sup>1</sup>: C
- Energy<sup>2</sup> / Water<sup>3</sup>: 75 kWh / 9 litres
- Capacity: 14 place settings
- Programme duration<sup>4</sup>: 3:20 (h:min)
- Noise level: 40 dB(A) re 1 pW
- Noise Efficiency Class: B
- Noise level (silence programme): 39 dB(A) re 1 pW

#### Programmes / functions

- 6 programmes: Eco 50 °C, Auto 45-65 °C, Intensive 70 °C, Express 65°, Silence 50 °C, Favourite
- Default favourite programme: Pre-Rinse
- 4 special options: Remote Start, Efficient Dry, Half Load, SpeedPerfect+
- Add-On functions via Home Connect app: Hygiene+, Silence on Demand
- Machine Care

#### Flexible design elements

- Vario Flex baskets
- VarioDrawer - loading of cutlery on 3rd level
- 3 stage Rackmatic height-adjustable top basket
- Low friction wheels on bottom basket
- Rack Stopper to prevent derailing of bottom basket
- 2 foldable plate racks in top basket
- 4 foldable plate racks in bottom basket
- Upper rack cup shelf

#### Innovations and technology

- Home Connect ready on WLAN
- Efficient Dry and Heat Exchanger
- DosageAssist detergent dispenser
- EcoSilence BLDC drive
- Automatic detergent detection
- AquaSensor III
- AquaMix - Glass protection system

#### Design features

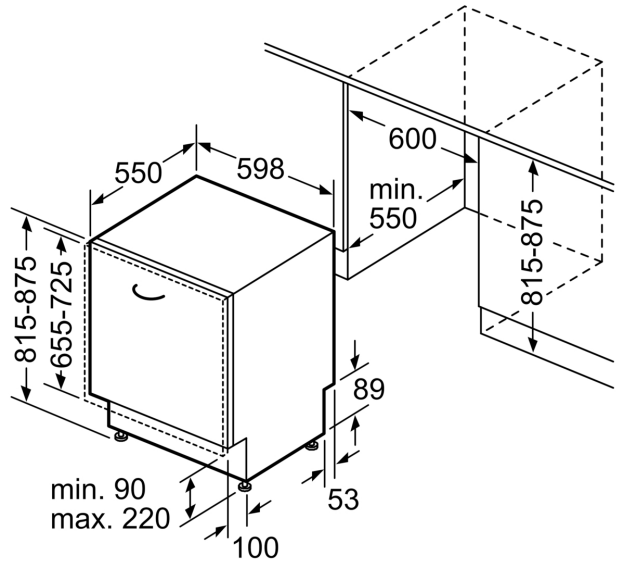
- Push button top edge controls
- InfoLight (Red) - Light projection on the floor
- Time delay (3, 6 or 24 hours)
- Acoustic end of cycle indicator
- AquaStop: Bosch's warranty in case of water damage - for the lifetime of the appliance. Please find warranty terms under <https://www.bosch-home.co.uk/customer-service/care-protection-and-parts/additional-warranties>
- Self-cleaning filter system with 3 piece corrugated filter
- incl. Steam protection for worktop
- Stainless steel interior

## Series 4, Fully-integrated dishwasher, 60 cm SMV4ECX23G

measurements in mm



⏏ socket  
( ) values with extension kit



measurements in mm