

**Serie | 2, Fully-integrated dishwasher,
60 cm
SGV2ITX18G**



Dishwasher with an option for extra-thoroughly dry dishes with just one push of a button.

- **ExtraDry:** extra drying option for difficult-to-dry loads.
- **Auto Programmes:** automatically selects the best cleaning performance programme.
- **EcoSilence Drive:** Energy efficient, quiet running motor.
- **InfoLight:** a red infolight on the floor indicates whether the dishwasher is switched on or off.
- **AquaStop:** protects against leaks, with a 100% lifetime warranty.

Technical Data

Energy Efficiency Class: E
 Energy Consumption for 100 cycles Eco Programme: 92 kWh
 Maximum number of place settings: 12
 The water consumption of the eco programme in liters per cycle: 10.5 l
 Programme duration: 4:30 h
 Airborne acoustical noise emissions : 48 dB(A) re 1 pW
 Airborne acoustical noise emission class: C
 Construction type: Built-in
 Height of removable worktop: 0 mm
 Dimensions of the product (HxWxD): 815 x 598 x 550 mm
 Required niche size for installation (HxWxD): 815-875 x 600 x 550 mm
 Approval certificates: CE, VDE
 Depth with open door 90 degree: 1150 mm
 Adjustable feet: Yes - all from front
 Maximum adjustability feet: 60 mm
 Adjustable plinth: both horizontal and vertical
 Net weight: 31.030 kg
 Gross weight: 33.5 kg
 Connection rating: 2400 W
 Fuse protection: 10 A
 Voltage: 220-240 V
 Frequency: 50; 60 Hz
 Length of electrical supply cord: 175 cm
 Plug type: GB plug
 Length inlet hose: 165 cm
 Length outlet hose: 190 cm
 EAN code: 4242005322039
 Installation type: Full-integrated



Optional accessories

SGZ1010 : inlet and outlet hose extention
 SMZ5006 : decorative strips 81cm st.steel
 SMZ5300 : GlassSecure Tray



Serie | 2, Fully-integrated dishwasher, 60 cm SGV2ITX18G

Dishwasher with an option for extra-thoroughly dry dishes with just one push of a button.

¹ Scale of Energy Efficiency Classes from A to G

² Energy consumption in kWh per 100 cycles (in programme Eco 50 °C)

³ Water consumption in litres per cycle (in programme Eco 50 °C)

⁴ Duration of programme Eco 50 °C

New for 2021

Performance

- Energy Efficiency Class¹: E
- Energy² / Water³: 92 kWh / 10.5 litres
- Capacity: 12 place settings
- Programme duration⁴: 4:30 (h:min)
- Noise level: 48 dB(A) re 1 pW
- Noise Efficiency Class: C

Programmes / functions

- 4 programmes: Eco 50 °C, Auto 45-65 °C, Intensive 70 °C, Express 65°
- 3 special options: Extra Dry, Half Load, SpeedPerfect
- Machine Care

Flexible design elements

- Normal baskets
- Low friction wheels on bottom basket
- Rack Stopper to prevent derailing of bottom basket
- Cutlery basket in lower rack
- Upper rack cup shelf
- Glass holder in top basket

Innovations and technology

- DosageAssist detergent dispenser
- EcoSilence BLDC drive
- Automatic detergent detection
- Aqua and loading sensor
- AquaMix - Glass protection system

Design features

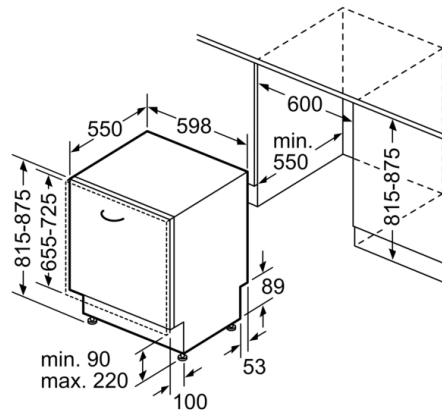
- Push button top edge controls
- InfoLight (Red) - Light projection on the floor
- Acoustic end of cycle indicator
- Time delay (3, 6 or 9 hours)
- AquaStop: Bosch warranty in case of water damage - for the lifetime of the appliance. Please find warranty terms under <https://www.bosch-home.co.uk/customer-service/care-protection-and-parts/additional-warranties>
- Self cleaning filter system with 3 piece corrugated filter
- Large item spray head, steam protection plate
- Stainless steel/Polinox interior
- Dimensions (HxWxD): 81.5 x 59.8 x 55cm

Serie | 2, Fully-integrated dishwasher, 60 cm SGV2ITX18G

measurements in mm



⌘ socket
() values with extension kit



measurements in mm