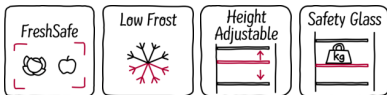


N 50, Built-in fridge-freezer with freezer at bottom, 177.2 x  
54.1 cm  
KI5852SF0G



This built-in combination refrigerator/freezer is the perfect place to store fruit and vegetables with very low energy consumption.

- ✓ FreshSafe: Stores your fruit and vegetables safely
- ✓ LowFrost: Reduces frost in the freezer compartment for faster defrosting.
- ✓ Adjustable Glass Shelves – Height adjustable shelves create the space you need for inspiring dishes in your fridge
- ✓ Our safety glass shelves happily shoulder generous loads of delicacies in your fridge
- ✓ Individualize your drawers with various loading options to create the optimal fit for frozen goodies

#### Features

##### Technical Data

Energy Efficiency Class : F  
 Average annual energy consumption in kilowatt hour per year (kWh/a) : 285  
 Sum of volume of frozen compartments : 102  
 Sum of volume of chill compartments : 159  
 Airborne acoustical noise emissions : 38  
 Airborne acoustical noise emission class : C  
 Construction type : Built-in  
 Door panel options : Not possible  
 Width of the appliance : 541  
 Depth of the product : 545  
 Required niche size for installation (HxWxD) : 1775.0 x 560 x 550  
 Net weight (kg) : 63.452  
 Connection rating (W) : 90  
 Fuse protection (A) : 13  
 Door hinge : Right reversible  
 Voltage (V) : 220-240  
 Frequency (Hz) : 50  
 Approval certificates : CE, VDE  
 Length of electrical supply cord (cm) : 230  
 Storage Period in Event of Power Failure (h) : 10  
 Number of compressors : 1  
 Number of independent cooling systems : 1  
 Interior ventilator : No  
 Reversible Door Hinge : Yes  
 Number of Adjustable Shelves in fridge compartment (Stck) : 3  
 Shelves for Bottles : No  
 Frost free system : No  
 Installation type : Full-integrated  
 Type of hinge : Follow-door

#### Optional accessories

KSZ10020	Bottle Rack
Z10020	Bottle Rack



4 242004 243175

*N 50, Built-in fridge-freezer with freezer at bottom,  
177.2 x 54.1 cm  
KI5852SFOG*

## Features

### Functions

- Bright interior LED fridge light

### Design features

- Electronic control (LED chain)
- FreshSense - constant temperature by intelligent sensor technology - Constant temperature control by intelligent sensor technology
- SuperFreeze function with automatic deactivation
- Single cooling circuit

### Design features

- 4 safety glass shelves in fridge compartment of which 3 are height adjustable
- 4 door bins

### Freshness System

- 1 FreshSafe drawer- The ideal place to store your fruit and vegetables safely.

### Food freshness system

- Removeable safety glass shelves in freezer
- 4 transparent freezer drawers, 1 bigbox

### Dimension and installation

- Dimensions: 177.2 cm H x 54.1 cm W x 54.5 cm D
- Niche Dimensions: 177.5 cm H x 56 cm W x 55 cm D

### Key features - Fridge section

- Right hinged door, reversible
- Connection value 90 W

### Key features - Freezer section

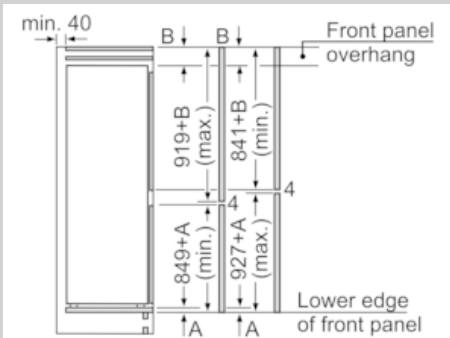
- 2 x egg tray, 1 x ice cube tray
- bottle holder in door tray
- Based on the results of the standard 24-hour test. Actual consumption depends on usage/position of the appliance.

### Performance and Consumption

- EU19\_EEK\_D: F
- Total Volume : 261 l
- Net Fridge Volume : 159 l
- Net Freezer Volume : 102 l
- Net 4\* compartment volume : 102 l
- Freezing capacity 24h : 4.6 kg
- Annual Energy Consumption: 285 kWh/a
- Climate Class: SN-ST
- Noise Level : 38 dB
- Temperature rise time : EU19\_Temperature rise time\_D: 10 H

N 50, Built-in fridge-freezer with freezer at bottom,  
 177.2 x 54.1 cm  
 KI5852SFOG

## Dimensioned drawings



The specified unit door dimensions are valid for a door gap of 4 mm.  
 measurements in mm

