

**Serie | 4, Fully-integrated dishwasher,
60 cm
SMH4HVX32G**



Flexible loading and smart remote control of your VarioHinge dishwasher via the Home Connect app. VarioHinge the perfect solution for installations with low plinth heights and high built-in situations.

- **Home Connect:** home appliances with smart connectivity for an easier everyday life.
- **VarioHinge** - The perfect solution for installations with limited clearance between the bottom of the door and the plinth.
- **ExtraDry:** extra drying option for difficult-to-dry loads.
- **VarioDrawer:** 3rd level loading for cutlery and smaller kitchen utensils.
- **InfoLight:** a red infolight on the floor indicates whether the dishwasher is switched on or off.

Technical Data

Energy Efficiency Class: E

Energy Consumption for 100 cycles Eco Programme: 94 kWh

Maximum number of place settings: 13

The water consumption of the eco programme in liters per cycle: 9.5 l

Programme duration: 3:45 h

Airborne acoustical noise emissions : 46 dB(A) re 1 pW

Airborne acoustical noise emission class: C

Construction type: Built-in

Height of removable worktop: 0 mm

Dimensions of the product (HxWxD): 815 x 598 x 550 mm

Required niche size for installation (HxWxD): 815-875 x 600 x 550 mm

Approval certificates: CE, VDE

Depth with open door 90 degree: 1150 mm

Adjustable feet: Yes - all from front

Maximum adjustability feet: 60 mm

Adjustable plinth: both horizontal and vertical

Net weight: 36.6 kg

Gross weight: 39.1 kg

Connection rating: 2400 W

Fuse protection: 10 A

Voltage: 220-240 V

Frequency: 50; 60 Hz

Length of electrical supply cord: 175 cm

Plug type: GB plug

Length inlet hose: 165 cm

Length outlet hose: 190 cm

EAN code: 4242005275038

Installation type: Full-integrated



Optional accessories

SGZ1010 : inlet and outlet hose extention

SMZ5100 : Vario-cutlery basket

SMZ5300 : GlassSecure Tray



Serie | 4, Fully-integrated dishwasher, 60 cm SMH4HVX32G

Flexible loading and smart remote control of your VarioHinge dishwasher via the Home Connect app. VarioHinge the perfect solution for installations with low plinth heights and high built-in situations.

- VarioHinge 50mm

New for 2021

Performance

- Energy Efficiency Class¹: E
- Energy² / Water³: 94 kWh / 9.5 litres
- Capacity: 13 place settings
- Programme duration⁴: 3:45 (h:min)
- Noise level: 46 dB(A) re 1 pW
- Noise Efficiency Class: C

Programmes / functions

- 6 programmes: Eco 50 °C, Auto 45-65 °C, Intensive 70 °C, Express 65°, Glass 40 °C, Favourite
- Default favourite programme: Pre-Rinse
- 4 special options: Remote Start, Extra Dry, Hygiene+, SpeedPerfect+
- Machine Care
- Silence on Demand (via app)

Flexible design elements

- VarioFlex baskets
- VarioDrawer - loading of cutlery on 3rd level
- 3 stage Rackmatic height-adjustable top basket
- Low friction wheels on bottom basket
- Rack Stopper to prevent derailing of bottom basket
- 2 foldable plate racks in top basket
- 4 foldable plate racks in bottom basket
- Upper rack cup shelf

Innovations and technology

- Home Connect ready on WLAN
- Heat exchanger.
- DosageAssist detergent dispenser
- EcoSilence BLDC drive
- Automatic detergent detection
- Aqua and loading sensor
- AquaMix - Glass protection system

Design features

- Push button top edge controls
- InfoLight (Red) - Light projection on the floor
- Acoustic end of cycle indicator, Time remaining indicator (min), water inlet indicator
- Time delay (3, 6 or 24 hours)
- AquaStop: Bosch's warranty in case of water damage - for the lifetime of the appliance. Please find warranty terms under <https://www.bosch-home.co.uk/customer-service/care-protection-and-parts/additional-warranties>
- Self-cleaning filter system with 3 piece corrugated filter
- Large item spray head, steam protection plate
- Stainless steel/Polinox interior
- Dimensions (HxWxD): 81.5 x 59.8 x 55cm

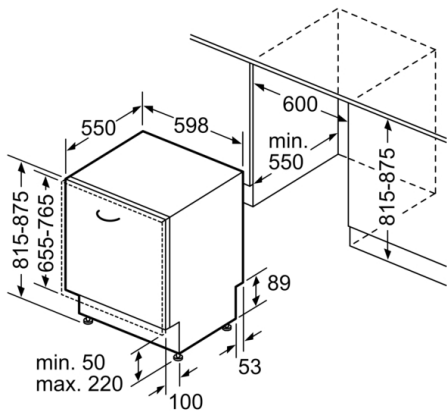
¹ Scale of Energy Efficiency Classes from A to G

² Energy consumption in kWh per 100 cycles (in programme Eco 50 °C)

³ Water consumption in litres per cycle (in programme Eco 50 °C)

⁴ Duration of programme Eco 50 °C

**Serie | 4, Fully-integrated dishwasher, 60 cm
SMH4HVX32G**



measurements in mm

