

**Serie | 4, Fully-integrated dishwasher,
60 cm
SGH4HVX32G**



Flexible loading VarioHinge dishwasher with an option for extra-thoroughly dry dishes with just one push of a button. VarioHinge is a perfect solution for installations with low plinth heights and high built-in situations.

- **VarioHinge** - The perfect solution for installations with limited clearance between the bottom of the door and the plinth.
- **ExtraDry**: extra drying option for difficult-to-dry loads.
- **VarioDrawer**: 3rd level loading for cutlery and smaller kitchen utensils.
- **InfoLight**: a red infolight on the floor indicates whether the dishwasher is switched on or off.
- **AquaStop**: protects against leaks, with a 100% lifetime warranty.

Technical Data

Energy Efficiency Class: E
 Energy Consumption for 100 cycles Eco Programme: 94 kWh
 Maximum number of place settings: 13
 The water consumption of the eco programme in liters per cycle: 9.5 l
 Programme duration: 3:45 h
 Airborne acoustical noise emissions : 46 dB(A) re 1 pW
 Airborne acoustical noise emission class: C
 Construction type: Built-in
 Height of removable worktop: 0 mm
 Dimensions of the product (HxWxD): 815 x 598 x 550 mm
 Required niche size for installation (HxWxD): 815-875 x 600 x 550 mm
 Approval certificates: CE, VDE
 Depth with open door 90 degree: 1150 mm
 Adjustable feet: Yes - all from front
 Maximum adjustability feet: 60 mm
 Adjustable plinth: both horizontal and vertical
 Net weight: 36.827 kg
 Gross weight: 39.4 kg
 Connection rating: 2400 W
 Fuse protection: 10 A
 Voltage: 220-240 V
 Frequency: 50; 60 Hz
 Length of electrical supply cord: 175 cm
 Plug type: GB plug
 Length inlet hose: 165 cm
 Length outlet hose: 190 cm
 EAN code: 4242005321704
 Installation type: Full-integrated

Optional accessories

SGZ1010 : inlet and outlet hose extention
 SMZ5006 : decorative strips 81cm st.steel
 SMZ5100 : Vario-cutlery basket



Serie | 4, Fully-integrated dishwasher, 60 cm SGH4HVX32G

Flexible loading VarioHinge dishwasher with an option for extra-thoroughly dry dishes with just one push of a button. VarioHinge is a perfect solution for installations with low plinth heights and high built-in situations.

- VarioHinge 50mm

New for 2021

Performance

- Energy Efficiency Class¹: E
- Energy² / Water³: 94 kWh / 9.5 litres
- Capacity: 13 place settings
- Programme duration⁴: 3:45 (h:min)
- Noise level: 46 dB(A) re 1 pW
- Noise Efficiency Class: C

Programmes / functions

- 6 programmes: Eco 50 °C, Auto 45-65 °C, Intensive 70 °C, Express 65°, Glass 40 °C, Favourite
- Default favourite programme: Pre-Rinse
- 3 special options: Extra Dry, Hygiene+, SpeedPerfect+
- Machine Care

Flexible design elements

- VarioFlex baskets
- VarioDrawer - loading of cutlery on 3rd level
- 3 stage Rackmatic height-adjustable top basket
- Low friction wheels on bottom basket
- Rack Stopper to prevent derailing of bottom basket
- 2 foldable plate racks in top basket
- 4 foldable plate racks in bottom basket
- Upper rack cup shelf

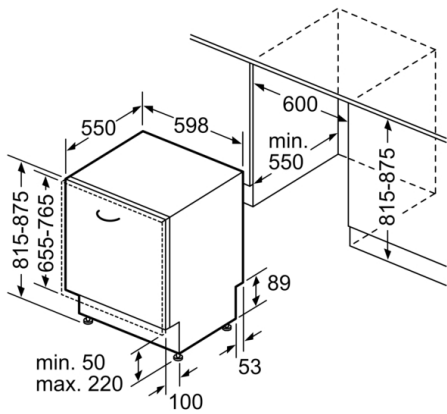
Innovations and technology

- Heat exchanger.
- DosageAssist detergent dispenser
- EcoSilence BLDC drive
- Automatic detergent detection
- Aqua and loading sensor
- AquaMix - Glass protection system

Design features

- Push button top edge controls
- InfoLight (Red) - Light projection on the floor
- Acoustic end of cycle indicator, Time remaining indicator (min), water inlet indicator
- Time delay (3, 6 or 24 hours)
- AquaStop: Bosch warranty in case of water damage - for the lifetime of the appliance. Please find warranty terms under <https://www.bosch-home.co.uk/customer-service/care-protection-and-parts/additional-warranties>
- Self-cleaning filter system with 3 piece corrugated filter
- Large item spray head, steam protection plate
- Stainless steel/Polinox interior
- Dimensions (HxWxD): 81.5 x 59.8 x 55cm
- ¹ Scale of Energy Efficiency Classes from A to G
- ² Energy consumption in kWh per 100 cycles (in programme Eco 50 °C)
- ³ Water consumption in litres per cycle (in programme Eco 50 °C)
- ⁴ Duration of programme Eco 50 °C

**Serie | 4, Fully-integrated dishwasher, 60 cm
SGH4HVX32G**



measurements in mm

