

Series 2, Induction hob, 60 cm, Black, PUG61RAA5B



Optional accessories

HEZ9SE030 : Set of 2 pots and 1 pan

The Induction hob: Faster than gas and ceramic hobs, induction is easier to clean and more energy efficient.

- **Plug & Play:** plugs easily into the socket.
- **PowerBoost:** up to 50% more power for faster heating on your induction hob.
- **QuickStart:** start straight away and select the desired cooking level.
- The handy ChildLock locks the control panel to prevent accidental changes in settings.
- **Induction:** Fast, precise cooking, easy cleaning and low energy consumption.

Technical Data

Product name/family : Cooking zone ceramic

Construction type : Built-in

Energy input : Electric

Total number of positions that can be used at the same time : 4

Min. required niche size for installation (HxWxD) : 51 x 560-560 x 490-500 mm

Width of the appliance : 592 mm

Dimensions : 51 x 592 x 522 mm

Dimensions of the packed product (HxWxD) : 126 x 753 x 608 mm

Net weight : 9.2 kg

Gross weight : 11.3 kg

Residual heat indicator : Separate

Location of control panel : Hob front

Basic surface material : Ceramic

Color of surface : Black

Length of electrical supply cord : 110 cm

EAN code : 4242005285419

Electrical connection rating : 3700 W

Voltage : 220-240 V

Frequency : 50; 60 Hz



Series 2, Induction hob, 60 cm, Black, PUG61RAA5B

The Induction hob: Faster than gas and ceramic hobs, induction is easier to clean and more energy efficient.

output to 3.7 KW. For higher power output, please select a hob without plug and ensure installation is carried out by a qualified electrician.

Flexibility of cooking zones

- 60 cm: space for 4 pots or pans.
- Cooking zone front left: 145 mm, 1.4 KW
- Cooking zone rear left: 180 mm, 1.8 KW (max. power 3.1 KW)
- Cooking zone rear right: 145 mm, 1.4 KW
- Cooking zone front right: 180 mm, 1.8 KW

Usage convenience

- TouchSelect Basic: control the power with imprinted +/- touch buttons.
- Variable 9-stage power settings for each zone: precisely adapt the heat with 9 power levels.

Time saving & efficiency

- PowerBoost function in the front left zone : boil water faster thanks to 50% more energy than at the highest standard level.
- QuickStart function: when switching on, the hob automatically selects the cooking zone with cookware (when placed on a zone whilst the hob is off).
- Quick Stop: quickly switch off a cooking zone with one longer touch.

Design

- Frameless design

Safety

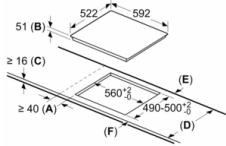
- Control panel lock: prevent unintended activation of the hob.
- Main on/off switch: switch off all cooking zones at the touch of a button.
- Automatic safety shut off: for safety reasons, heating stops after a preset time if not used (possible to customise).

Installation

- Dimensions of the product (HxWxD mm): 51 x 592 x 522
- Required niche size for installation (HxWxD mm) : 51 x 560 x (490 - 500)
- Min. worktop thickness: 16 mm
- Connected load: 3.7 KW
- Power management options for 16A, 13A or 10A connection: limit the maximum power if needed (depends on fuse protection of electric installation).
- Power cord 1.1 m UK 3 pin plug: plug and play, no electrician required for installation.
- This hob is equipped with a UK 3 pin plug for an easy plug & play installation. The plug limits the maximum power

Series 2, Induction hob, 60 cm, Black, PUG61RAA5B

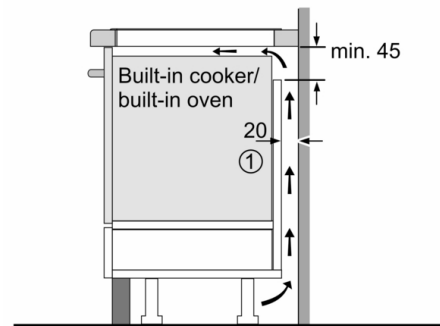
measurements in mm



- A:** Minimum distance from the hob cut-out to the wall.
- B:** Recessed depth
- C:** The clearance between the surface of the worktop and the top of the front of the oven must be 30 mm. See space requirements for the oven.

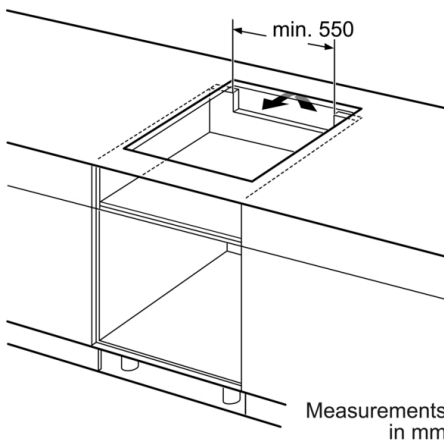
The worktop into which the hob is installed must withstand loads of approx. 60 kg; suitable substructures must be used if required.

D	E	F
585-600	50	≥ 35
> 600	≥ 50	≥ 50

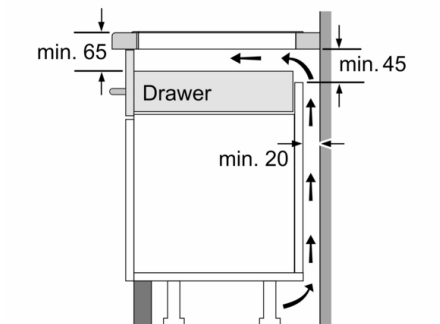


①
Ventilation gap must be present

All measurements in mm



Measurements in mm



Measurements in mm