

**Series 2, Built-in oven, 60 x 60 cm,
Stainless steel
HHF113BR0B**



Included accessories

1 x insert grid
1 x combination grid
1 x universal pan

Optional accessories

HEZ915003 : Glass roasting dish, 5,4 L

The built-in oven with 3D hot air: achieve perfect baking and roasting results on up to three levels simultaneously.

- **Red LED display control:** easy-to-use thanks to the time functions.

Technical Data

Color / Material Front : Stainless steel
Construction type : Built-in
Integrated Cleaning system : No
Min. required niche size for installation (HxWxD) : 575-597 x 560-568 x 550 mm
Dimensions : 595 x 594 x 548 mm
Dimensions of the packed product (HxWxD) : 655 x 680 x 650 mm
Control Panel Material : Stainless steel
Door Material : Glass
Net weight : 32.0 kg
Usable volume of cavity : 66 l
Cooking method : Full width variable grill, Hot Air, Hotair gentle, Hot air grilling
First cavity material : Other
Oven control : mechanical
Number of interior lights : 1
Length of electrical supply cord : 110 cm
EAN code : 4242005048335
Number of cavities (2010/30/EC) : 1
Energy efficiency rating : A
Energy consumption per cycle forced air convection (2010/30/EC) : 0.79 kWh/cycle
Energy efficiency index (2010/30/EC) : 95.2 %
Connection rating : 2400 W
Fuse protection : 13 A
Voltage : 220-240 V
Frequency : 60; 50 Hz
Plug type : GB plug
Included accessories : 1 x insert grid, 1 x combination grid, 1 x universal pan



Series 2, Built-in oven, 60 x 60 cm, Stainless steel HHF113BR0B

The built-in oven with 3D hot air: achieve perfect baking and roasting results on up to three levels simultaneously.

Design

- LED-Display Control (Red)
- Rotary dial, round
- Straight bar handle

Features

- Control panel lock
- Automatic start
- Electronic clock timer
- Interior halogen light
- Integral cooling fan
- 5 shelf positions

Cleaning

- Full glass inner door

Programmes/functions

- Oven with 4 cooking functions: heating methods: 3D Hotair, Hotair grilling, Hotair gentle, full width variable grill

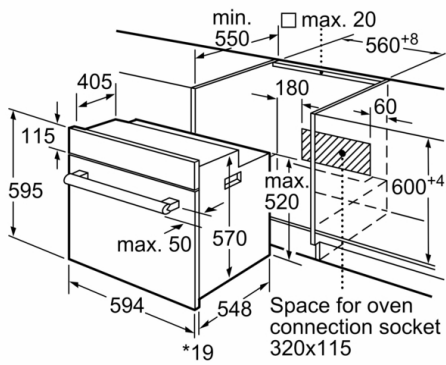
Accessories

- 1 x universal pan, 1 x combination grid, 1 x insert grid

Performance/technical information

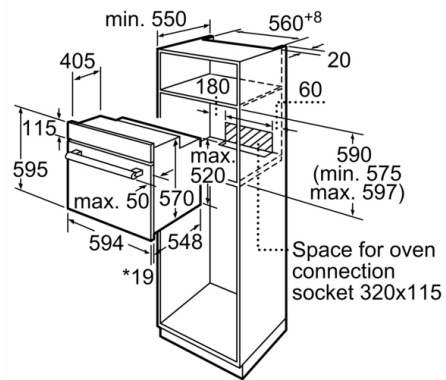
- Cavity volume: 66 litre
- Temperature range 50 °C - 275 °C
- 110 cm Cable length
- Total connected load electric: 2.4 KW
- Nominal voltage: 220 - 240 V
- Appliance dimension (hxwxd): 595 mm x 594 mm x 548 mm
- Niche dimension (hxwxd): 575 mm - 597 mm x 560 mm - 568 mm x 550 mm
- Please refer to the dimensions provided in the installation manual

Series 2, Built-in oven, 60 x 60 cm, Stainless steel
HHF113BR0B



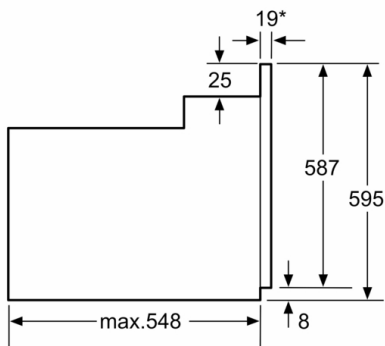
* 20 mm for metal fascias

measurements in mm



* 20 mm for metal fascias

measurements in mm



* 20 mm for metal fascias

Dimensions in mm