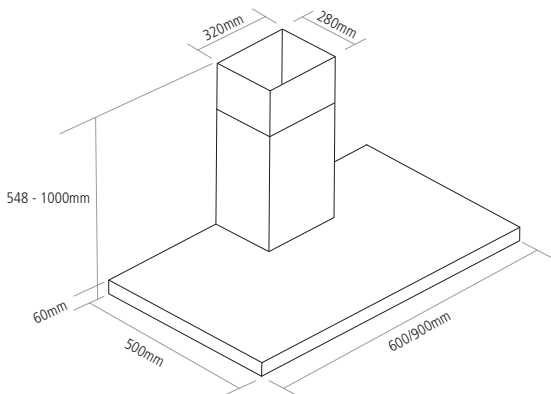


CAPLE CARE

FREE 2 YEAR  
PARTS & LABOUR  
GUARANTEE

## DIMENSIONS



## ZODIAC WALL CHIMNEY HOODS

### PRODUCT CODE

ZC622

### DIMENSIONS

 w:600mm

### PERFORMANCE

**e** Energy class B  
 Fluid Dynamic Efficiency B  
 Light Efficiency A  
 Grease Absorption D  
 Annual Consumption  
 50kWh/yr  
 Max. extraction 570m<sup>3</sup>/h  
 Max. noise level 66dB[A]

### FEATURES

- Illuminated LED touch control
- 3 Speeds
- Large LED light panel
- Aluminium grease filters
- Required ducting size 150mm
- Recirculation kit available

### OPTIONAL EXTRAS

- Recirculation kit [CAP61CF]
- Visit [caple.co.uk](http://caple.co.uk) for full range

### FINISH AVAILABLE

 Stainless steel with black glass panel