



INTEGRATED HOOD

PRODUCT CODE

INCH

DIMENSIONS

↔ w:600mm

PERFORMANCE

e Energy class C
 Fluid Dynamic Efficiency E
 Light Efficiency B
 Grease Absorption D
 Annual Consumption
 37kWh/yr
 Max. extraction 285m³/h
 Max. noise level 64dB[A]

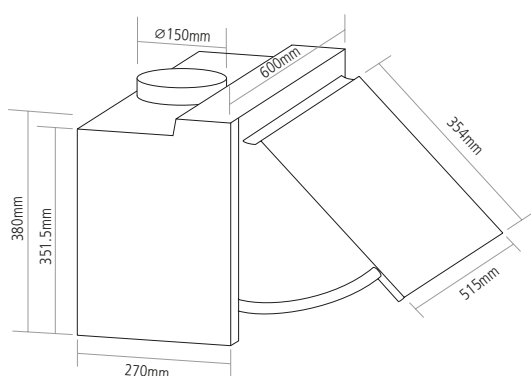
FEATURES

- Slider control
- 3 Speeds
- 2 x 2W LED lights
- Aluminium grease filters
- Ducting spigot size 150mm
- Recirculation kit available

OPTIONAL EXTRAS

- Recirculation kit [CAP73CF]
- Visit caple.co.uk for full range

DIMENSIONS



FINISH AVAILABLE

■ Silver grey