



SPIRIT WALL CHIMNEY HOODS

PRODUCT CODE

SP9125S

DIMENSIONS

← w:900mm

PERFORMANCE

e Energy class A
 Fluid Dynamic Efficiency A
 Light Efficiency C
 Grease Absorption D
 Annual Consumption
 42kWh/yr
 Max. extraction 612m³/h
 Max. noise level 66dB[A]

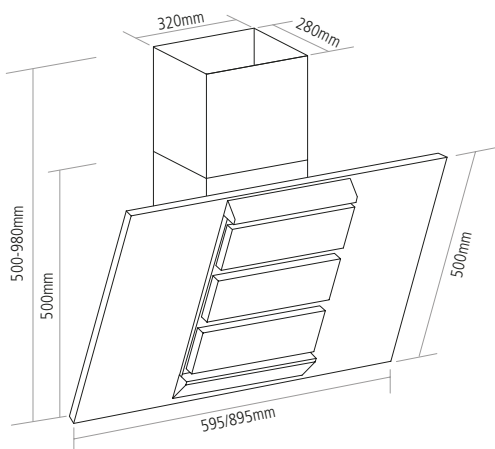
FEATURES

- Touch controls
- 3 Speeds
- 2 x 1.5W high intensity LED lights
- Aluminium grease filters
- Supplied with 2m length of semi-rigid ducting
- Required ducting size 150mm
- Recirculation kit available

OPTIONAL EXTRAS



- Recirculation kit [CAP61CF]
- Visit caple.co.uk for full range

DIMENSIONS



650mm space for electric hobs and 760mm space for gas hobs required from worktop to the mesh filter behind the centre glass panel.
 From the lowest point of the hood the distance required is 450mm for electric hobs and 550mm for gas hobs.

FINISH AVAILABLE

-  Stainless steel with glass panels [shown]
-  Black with black glass panels